

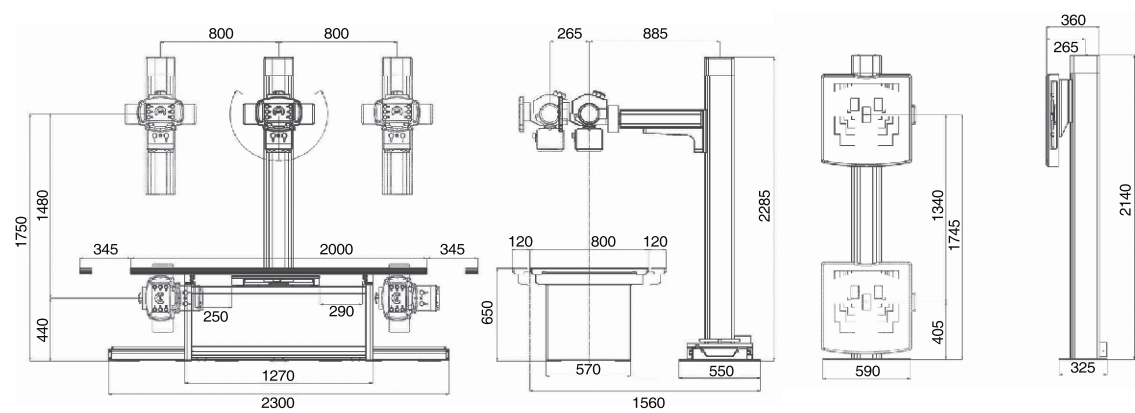
High Frequency Digital Radiography with Console System

RAD ROOM-X300 300 400 500



Generator	Capacity	15 KW	32 KW	40 KW
	KV Range	40-125 kV	40-125 kV	40-125 kV
	mA Range	10-300 mA	10-400 mA	10-500 mA
	mAs Range	0.1-250 mAS	0.1-250 mAS	0.1-250 mAS
	Time Range	0.001~10sec.		
	Frequency	40kHz		
	Anatomical Programming	216 APR		
Tube	Anode heat storage capacity	140 KHU		
	Focal Spots	1.0 / 2.0mm Dual		
	Target Angle	16° rotating at high speed		
	Max Tube Voltage	125kV		
	Vertical Movement	1480mm		
Floor mounted Tube Stand	Horizontal Movement	1550mm		
	Transversal (telescopic) Movement	±265mm		
	Column Rotation	360° (±180°)		
	X-ray Tube Rotation	240° (±120°)		
Floor-Ceiling mounted Tube Stand	Vertical Movement	1480mm		
	Horizontal Movement	2400mm		
	Transversal (telescopic) Movement	±265mm		
	Column Rotation	360° (±180°)		
Bucky Table	X-ray Tube Rotation	240° (±120°)		
	Type	4-Way floating wide tabletop		
	Tabletop Size	2000 x 800mm (±10%)		
Wall Bucky Stand	Horizontal Movement	690mm		
	Lateral Movement	240mm		
	Bucky Device Movement	520mm		
	Max. loading	200kg		
	Vertical Movement	1340mm		
Power Connection	Three phase, 415 VAC, 50/60 Hz			
Option	DAP (Dose Area Product) Meter			
	Three option of tube Stand 6-way elevating table			

* 800mAs optional (High Speed Rotor)
* Specifications are Subject to change without prior Notice



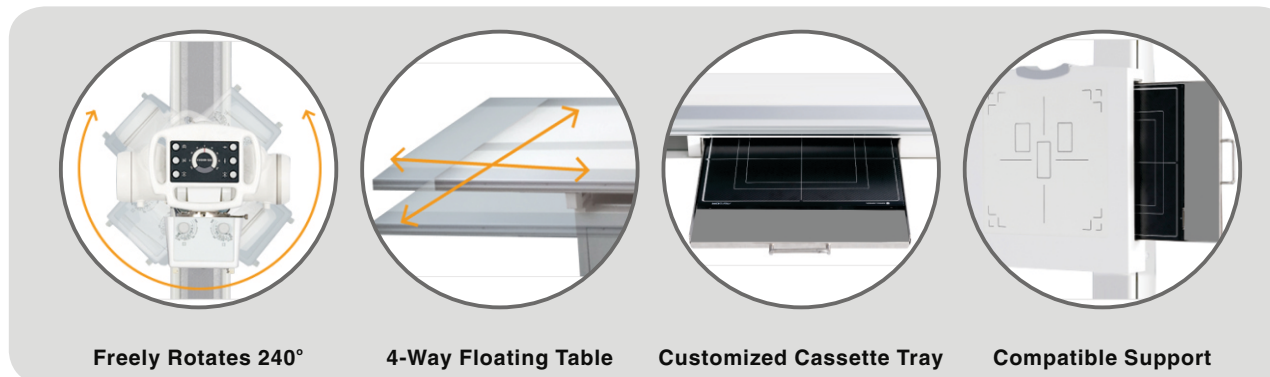
RAD ROOM-X300³⁰⁰ ⁴⁰⁰ ⁵⁰⁰

High Frequency Digital Radiography with Console System

X300 is the most efficient fully digital radiography systems that equipped with digital console and wired / wire free flat panel detector. The most cost-effective solutions and the great versatility in any clinical environment. The high frequency x-ray generator and the powerful rotating anode tube with dual focal spots ensures the confident diagnosis with the optimal quality image creation for all the general radiological purposes such as traumatological, orthopedic and medical examination centers, etc. Its X-ray tube stand which freely rotates 240° and the floating table top with the large range of longitudinal and transversal movements allows the exposures from various angles and easy and fast positioning so both patients and x-ray staffs feel comfortable.



Digital Console



Freely Rotates 240°

4-Way Floating Table

Customized Cassette Tray

Compatible Support



Options of Tube Stand

- Option 1: Economical choice
Single Detector : Sharable for wall stand and table
- Option 2: Choice for high productivity
Dual Detector : Each for wall stand and table

Floor-mounted Tube Stand

Floor-Ceiling mounted Tube Stand