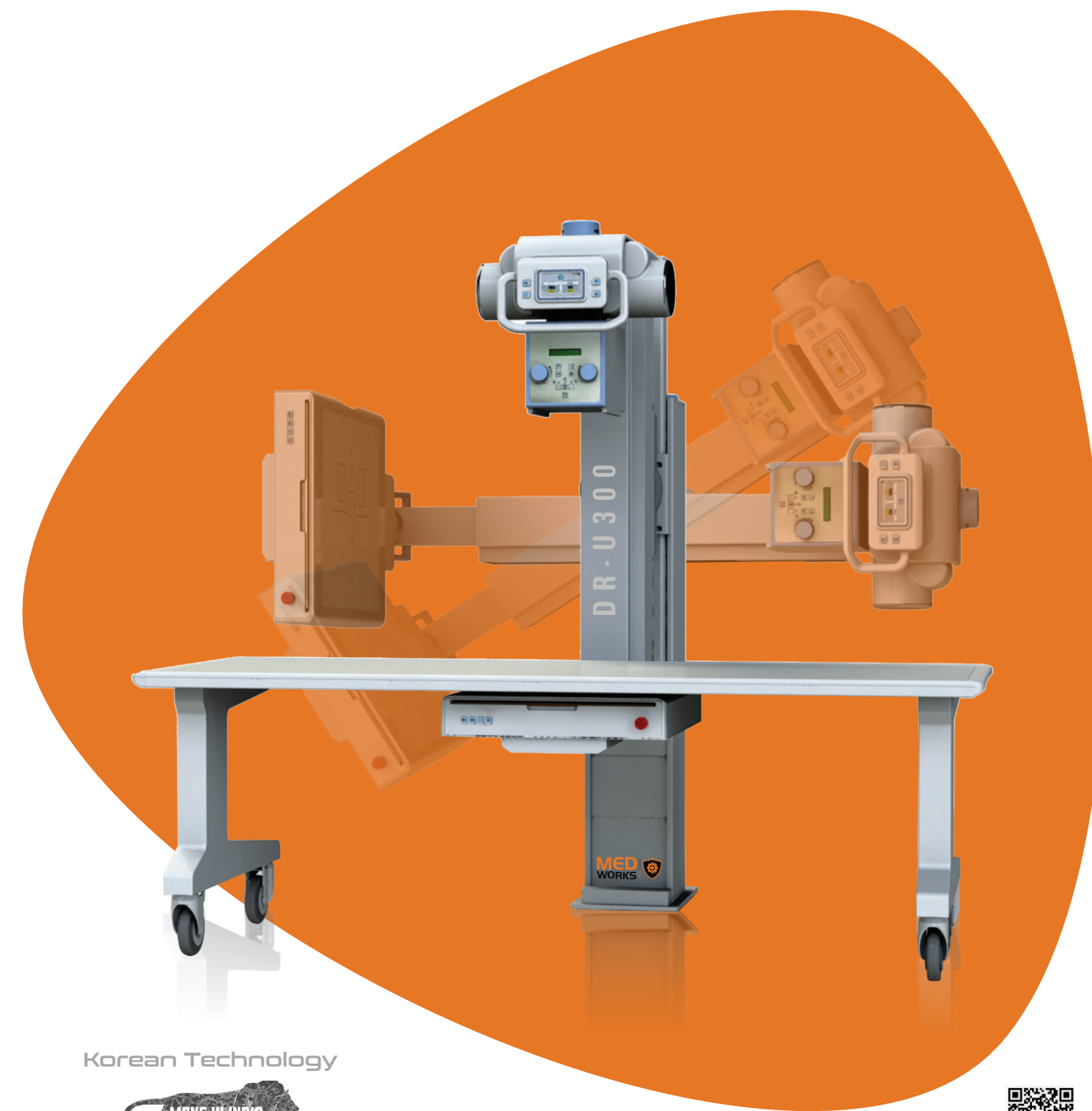
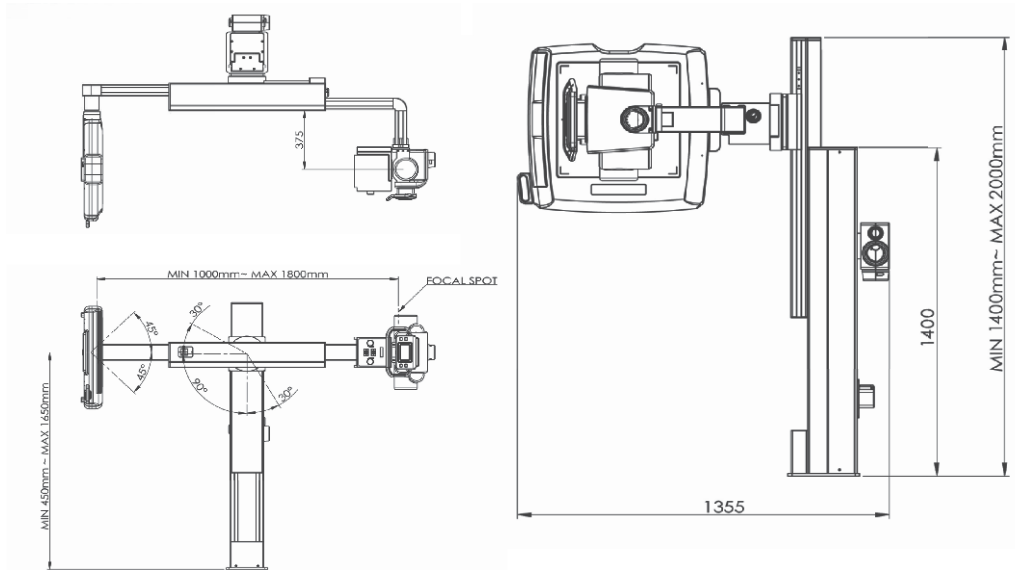


High Frequency Multi-function / Digital Radiography System

DR-U300 300 400 500

Generator	Capacity	15 KW	32 KW	40 KW
	KV Range	40-125 kV	40-125 kV	40-125 kV
	mA Range	10-300 mA	10-400 mA	10-500 mA
	mAs Range	0.1-250 mAS	0.1-250 mAS	0.1-250 mAS
	Time Range	0.001~10sec.		
	Frequency	40kHz		
	Anatomical Programming	216 APR		
Tube	Anode heat storage capacity	140 kHU		
	Focal Spots	1.0 / 2.0mm Dual		
	Target Angle	16° rotating at high speed		
	Max Tube Voltage	125kV		
Motorized Movement	1)Source to Image Distance (SID) control 2)Arm elevating movement at vertical"			
Source to Image	100 — 180 cm (40 ~ 72 in. (Continuously Adjustable))			
Vertical Travel	Max.120 cm (47.2 in.)			
Arm Rotation Angle	-30° ~ 120 °			
Tube Rotation	±90°			
Detector Rotation	±45°			
Power Requirement	120VAC or 200-240VAC, 50/60Hz, 1000VA			
Options	Manual Control and motorized with touchable display			
Type	Class 1			
Options	Bucky enclosure			

* Specifications are Subject to change without prior Notice



DR-U300 300 400 500

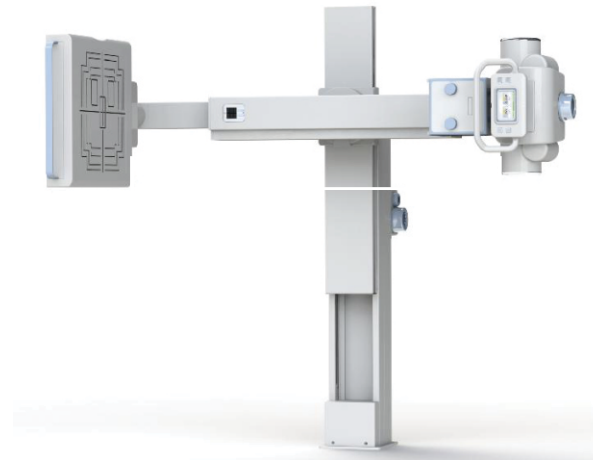
High Frequency Multi-function / Digital Radiography System

is the most efficient choice applicable both for digital and analogue environments. The digital compatible and field upgradeable system offers the most cost-effective solutions and the great versatility in any clinical environment. The high frequency x-ray generator and the powerful rotating anode tube with dual focal spots ensures the confident diagnosis with the optimal quality image creation for all the general radiological purposes such as traumatological, orthopedic and medical examination centers, etc. Its X-ray tube stand which freely rotates 240° and the floating table top with the large range of longitudinal and transversal movements allows the exposures from various angles and easy and fast positioning so both patients and x-ray staffs feel comfortable.

Minimizing the arm distance: SID 100 cm (SID 40 in.)



Maximizing the arm distance: SID 180 cm (SID 72 in.)



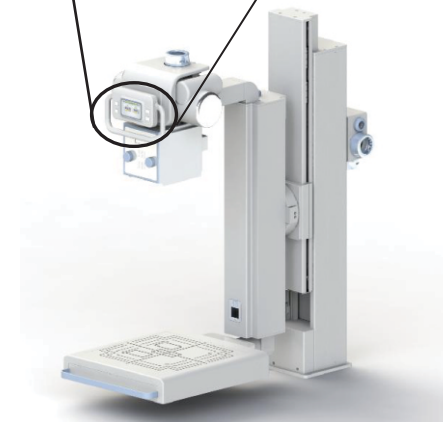
200 cm

The lowest ceiling height required:
Due to the double-stepped elevating structure, the height is available from 140 cm (55.1 in.) up to 200 cm. (78.7 in.)

140 cm



Digital Display





DR Upgrade →







Option 1: Economical choice
Single Detector : Sharable for wall stand and table

Option 2: Choice for high productivity
Dual Detector : Each for wall stand and table