

Pioneer in Imaging



High Frequency Digital Radiography with Console System

RAD ROOM-X300 300 400 500



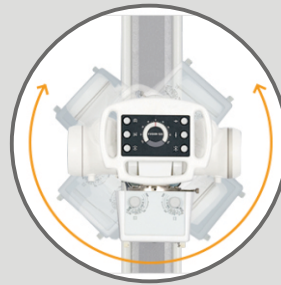
Korean Technology



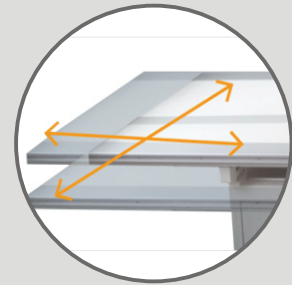
RAD ROOM-X300³⁰⁰₄₀₀⁵⁰⁰

High Frequency Digital Radiography with Console System

X300 is the most efficient fully digital radiography systems that equipped with digital console and wired / wire free flat panel detector. The most cost-effective solutions and the great versatility in any clinical environment. The high frequency x-ray generator and the powerful rotating anode tube with dual focal spots ensures the confident diagnosis with the optimal quality image creation for all the general radiological purposes such as traumatological, orthopedic and medical examination centers, etc. Its X-ray tube stand which freely rotates 240° and the floating table top with the large range of longitudinal and transversal movements allows the exposures from various angles and easy and fast positioning so both patients and x-ray staffs feel comfortable.



Freely Rotates 240°



4-Way Floating Table



Digital Console



Floor-mounted Tube Stand



Floor-Ceiling mounted Tube Stand

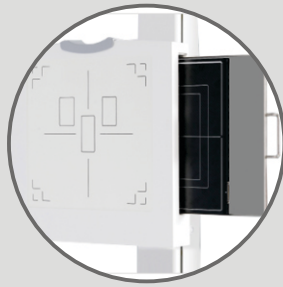
Options of Tube Stand

Option 1:
Single Detec

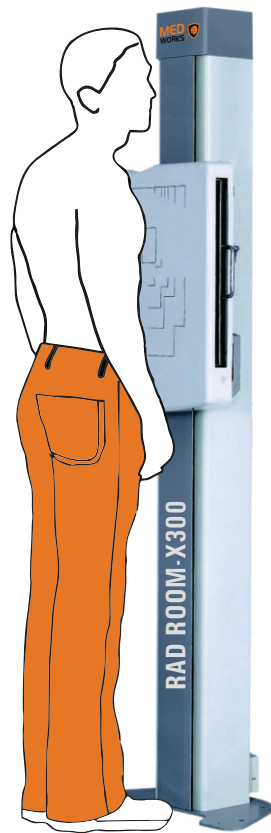
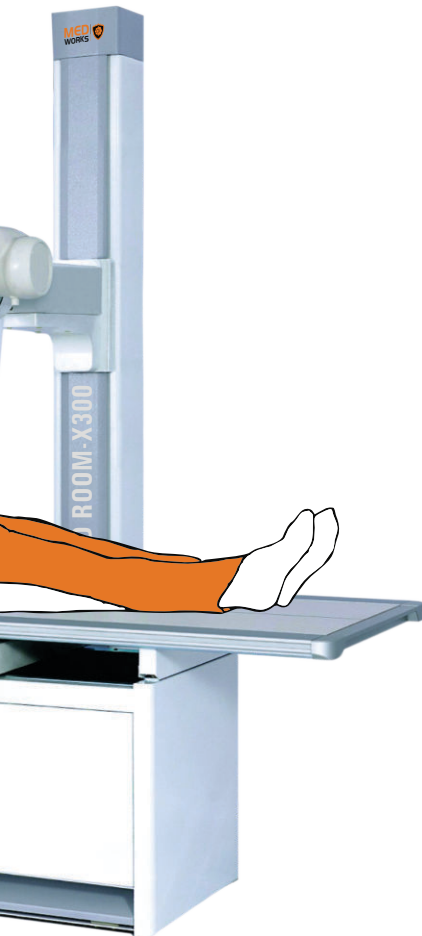
Option 2:
Dual Detec



Customized Cassette Tray



Compatible Support



Option 1: Economical choice

Single Detector : Sharable for wall stand and table

Option 2: Choice for high productivity

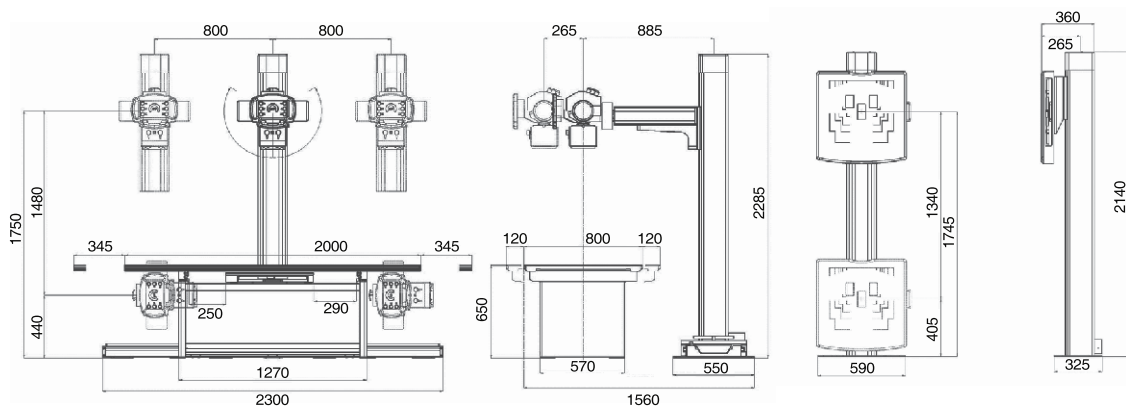
Dual Detector : Each for wall stand and table



Generator	Capacity	15 Kw	32 Kw	50 Kw
	KV Range	40-125 kV	40-125 kV	40-125 kV
	mA Range	10-300 mA	10-400 mA	10-800 mA
	mAs Range	0.1-250 mAS	0.1-250 mAS	0.1-250 mAS
	Time Range	0.001-10sec.		
	Frequency	40kHz		
	Anatomical Programming	216 APR		
Tube	Anode heat storage capacity	140 kHU	300 kHU	
	Focal Spots	1.0 / 2.0mm Dual		0.6 / 1.2mm
	Target Angle	16° rotating at high speed		12°
	Max Tube Voltage	125kV	150kV	
Floor mounted Tube Stand	Vertical Movement	1480mm		
	Horizontal Movement	1550mm		
	Transversal (telescopic) Movement	±265mm		
	Column Rotation	360° (±180°)		
	X-ray Tube Rotation	240° (±120°)		
Floor-Ceiling mounted Tube Stand	Vertical Movement	1480mm		
	Horizontal Movement	2400mm		
	Transversal (telescopic) Movement	±265mm		
	Column Rotation	360° (±180°)		
	X-ray Tube Rotation	240° (±120°)		
Bucky Table	Type	4-Way floating wide tabletop		
	Tabletop Size	2000 x 800mm (±10%)		
	Horizontal Movement	690mm		
	Lateral Movement	240mm		
	Bucky Device Movement	520mm		
	Max. loading	200kg		
	Vertical Movement	1340mm		
Wall Bucky Stand	Vertical Movement	1340mm		
Power Connection	Three phase, 415 VAC, 50/60 Hz			
Option	DAP (Dose Area Product) Meter			
	Three option of tube Stand			
	6-way elevating table			

* 800mAs optional (High Speed Rotor)

* Specifications are Subject to change without prior Notice



MEDWORKS SOLUTIONS PVT LTD

89, Mahia Industrial Estate, Uranganpatti, Madurai - 625 020. Tamilnadu, India.

☎ 0452 - 2323307, 0452 - 2424077

☎ 93445 33077, 98421 33077

✉ Info@med-works.in

🌐 www.med-works.in

