

Pioneer in Imaging  
[www.med-works.in](http://www.med-works.in)



High Frequency Conventional / Digital Radiography System

# DR-U300 300 400 500



# DR-U300 300 400 500

High Frequency Conventional / Digital Radiography System

**DR-U300** is the most efficient choice applicable both for digital and analogue environments. The digital compatible and field upgradeable system offers the most cost-effective solutions and the great versatility in any clinical environment. The high frequency x-ray generator and the powerful rotating anode tube with dual focal spots ensures the confident diagnosis with the optimal quality image creation for all the general radiological purposes such as traumatological, orthopedic and medical examination centers, etc. Its X-ray tube stand which freely rotates 240° and the floating table top with the large range of longitudinal and transversal movements allows the exposures from various angles and easy and fast positioning so both patients and x-ray staffs feel comfortable.

**Minimizing the arm distance: SID 100 cm (SID 40 in.)**

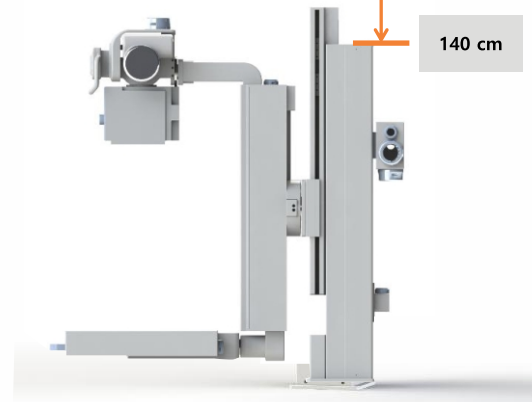


**The lowest ceiling height required:**

Due to the double-stepped elevating structure, the height is available from 140 cm (55.1 in.) up to 200 cm. (78.7 in.)

200 cm

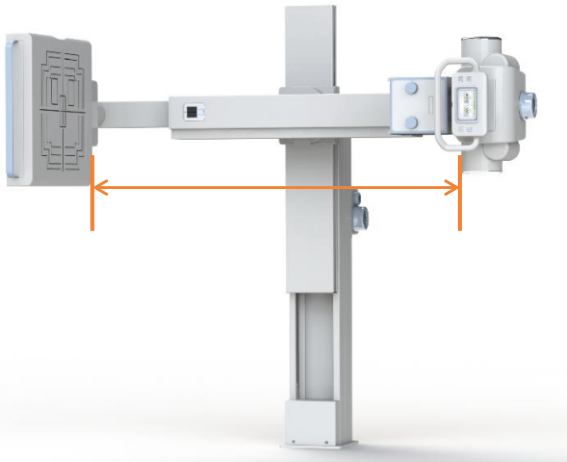
140 cm



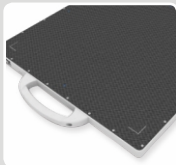
**Efficient**  
**Convenient**  
**Productivity**  
**High-Performance**



**Maximizing the arm  
distance: SID 180 cm  
(SID 72 in.)**



Digital Display



**Option 1: Economical choice**

**Single Detector** : Sharable for wall stand and table

**Option 2: Choice for high productivity**

**Dual Detector** : Each for wall stand and table

## CONVENIENT

- Powerful rotating anode x-ray to pivot 240 degree which allows exposures from various angles
- Anatomical Programmed Radiography (APR) for optimized image quality at low dose
- Intuitive and user-friendly control console
- Self-diagnostic circuit and error codes display
- One touch buttons for fast positioning and exposure

## EFFICIENT

- Outstanding image quality for faster and more confident diagnosis
- Ergonomic and robust design for safer and more accurate positioning
- Dual focal spot tube for thin / large part
- Smooth movement of tube stand and bucky devices
- Electro-magnetic lock system for patient safety

## HIGH PERFORMANCE

- Superb image quality with high frequency xray generator
- DR Ready –integration ideal for both conventional and digital applications
- Specialized mounting hardware for different digital panels is available upon request.
- DICOM / PACS connectivity as well as the independent image archiving.

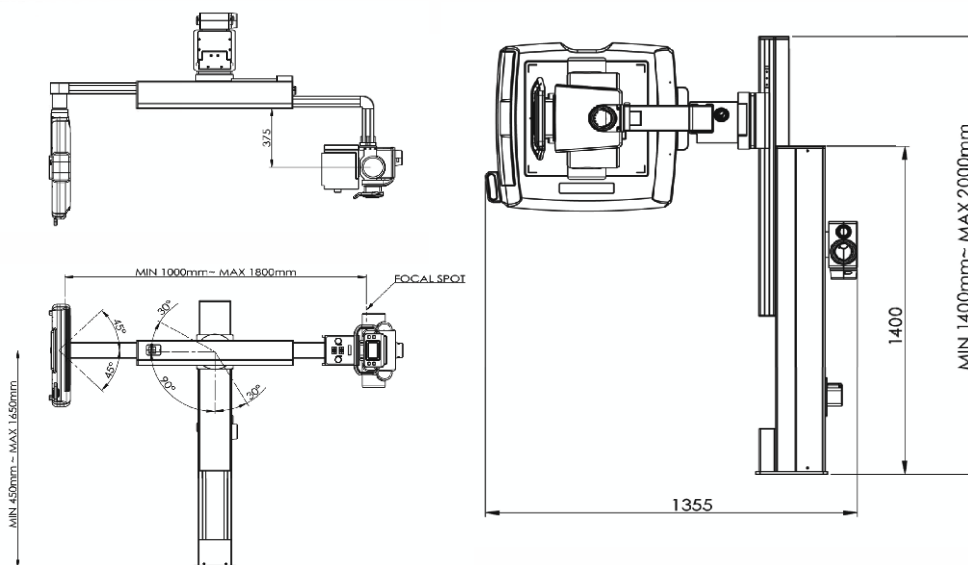
## DIGITAL RETROFIT / UPGRADE

- High quality digital images at an affordable cost
- 17'x17' cassette-sized or any customized, wired & wireless detector
- Long battery life and speedy data transmission in gigabits

# Technical Specifications

<b>Generator</b>	Capacity	15 Kw	32 Kw	50 Kw
	KV Range	40-125 kV	40-125 kV	40-125 kV
	mA Range	10-300 mA	10-400 mA	10-800 mA
	mAs Range	0.1-250 mAS	0.1-250 mAS	0.1-250 mAS
	Time Range	0.001~10sec.		
	Frequency	40kHz		
	Anatomical Programming	216 APR		
<b>Tube</b>	Anode heat storage capacity	140 KHU	300 KHU	
	Focal Spots	1.0 / 2.0mm Dual	0.6 / 1.2mm	
	Target Angle	16° rotating at high speed	12°	
	Max Tube Voltage	125kV	150kV	
<b>Motorized Movement</b>	1)Source to Image Distance (SID) control 2)Arm elevating movement at vertical"			
<b>Source to Image</b>	100 — 180 cm (40 ~ 72 in. (Continuously Adjustable))			
<b>Vertical Travel</b>	Max.120 cm (47.2 in.)			
<b>Arm Rotation Angle</b>	-30° ~ 120 °			
<b>Tube Rotation</b>	±90°			
<b>Detector Rotation</b>	±45°			
<b>Power Requirement</b>	120VAC or 200-240VAC, 50/60Hz, 1000VA			
<b>Options</b>	Manual Control and motorized with touchable display			
<b>Type</b>	Class 1			
<b>Options</b>	Bucky enclosure			

\* Specifications are Subject to change without prior Notice



## MEDWORKS SOLUTIONS PVT LTD

89, Mahia Industrial Estate, Uranganpatti,  
Madurai - 625 020. Tamilnadu, India.

☎ 0452 2424077, 0452 2627979

☎ 98433 33077, 97913 33077

✉ Info@med-works.in

🌐 www.med-works.in

