

High Frequency Conventional / Digital Radiography System

DR-RETRO¹⁴¹⁷



- Better image quality with lower dose.
- i-sync2. More reliable with precious xray auto sensing
- Easy installation and easy multi-modality sharing
- Always charging with backup cable



DR-RETRO¹⁴¹⁷

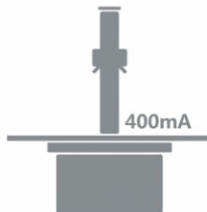
Innovative Wireless Cassette-Size Detector

With increasingly faster work flow in your radiology department, you definitely need more reliable DR solution, which should be both convenient and easy to use.



i-Sync 2 - perfect balance between precision of auto trigger and reliability.

Compared to i-Sync 1, i-Sync 2 can be better applied to a wider range of X ray systems, since its trigger sensitivity has been increased 60%. Even the least powerful mobile system can perfectly trigger an acquisition for a thickest patient, no need to worry about losing image resulting from the panel failing to track the weak exposure.



Efficient
Convenient
Productivity
High-Performance



Back up power cables can provide reliable and easy online charging solutions.

With simple magnetic charging connector, it is extremely easy to keep panel sustained charging and never need to replace battery. One additional Ethernet interface makes it easy and fast for the panel to switch between wireless and wired mode.



Drop monitoring

DR-RETRO1417 has been equipped with a unique drop monitoring system, which serves as a real time tracker of panel dropping and shocking. Do you want to know if your employees handle your equipment carefully or not? Well, Choose us!



Faster and seamless connection to mobile devices, with stronger signals.

DR-RETRO1417 could be conveniently connected to one mobile device of Windows systems, without any additional AP or router, which brings about easier and higher-efficient digital image.

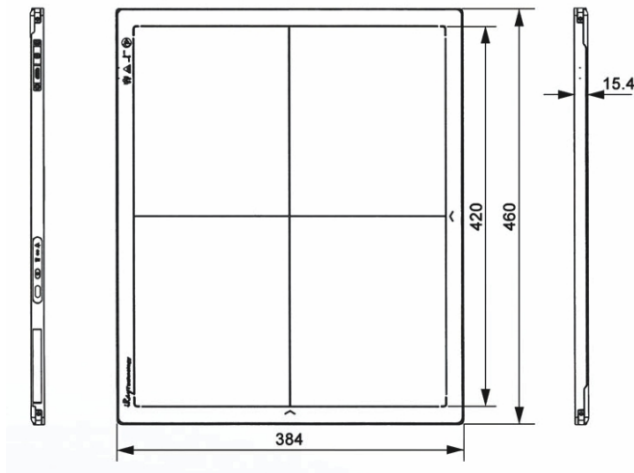
With Mimo technology, Wi-Fi signal's ability to pass through walls has been better improved.



Technical Specifications

Detector Technology	Amorphous Silicon	Shock Tolerance	High
Scintillator	GOS/CSI (Directly Deposit)	Water Proof	I PX2
Active Area	14"x17"	Drop Monitoring	Realtime
Pixel Pitch	150 μm	Limiting Resolution	3.4 lp/rnm
Number of Pixels	2304x2800(GOS)/ 2288x2784(CSI)	Accessories	Charging dock, Cables, Extra Batteries
AD Conversion	14bits	Operating Temperature	5-35°C
Acquisition Time	≤ 5s (Full image)	Storage Temperature	-20-60°C
Data Interface	WIFI/Ethernet	Operating Humidity	10-90%
Detector Control	WIFI/Ethernet	Storage Humidity	10-90%
Trigger Mode	i-Sync 2/Software (Auto exposure detection)	Dimension	384x460x15.4mm
Wireless Mode	2.4G/5G, with internal AP	Weight	3.7kg(GOS)/3.6kg(CSI)
Internal Image Storage	200 full size images	Power Consumption	12W (Full performance)
Battery	>4h (Full performance)	Adapter	AC input: 110v - 240v, 50-60Hz

* Specifications are Subject to change without prior Notice



Accessory - Charging Dock



MEDWORKS SOLUTIONS PVT LTD

89, Mahia Industrial Estate, Uranganpatti,
Madurai - 625 020. Tamilnadu, India.

☎ 0452 2424077, 0452 2627979

☎ 98433 33077, 97913 33077

✉ Info@med-works.in

🌐 www.med-works.in

